

## About the IBC Tipper

The IBC Tipper is a mechanism to maximise the dispensing of your IBC while avoiding waste, environmental and safety hazards.

The device works by tilting the IBC as it's contents are used, thereby increasing pressure at the tap and allowing more liquid access to flow out. Depending on the value of the liquid, this could redeem significant losses through waste quickly, and with little fuss.

A tipper may be used on it's own or can be customised with options as shown below. The unit and any optional extras can be produced in steel, painted steel, powder coated, galvanised or stainless finishes.

## Pricing

Prices below are VAT exclusive prices for 1-3 IBC Tippers. Bulk orders (over 3) may benefit from discount - please contact us for an exact quote.

The preferred method of payment is by BACS transfer but we accept Credit/Debit cards for orders of £2000 or less. The full range of IBC Tippers are available to purchase at [ibctippers.co.uk](http://ibctippers.co.uk).

|   | Steel   | Painted | Powder Coated | Galvanised | Stainless Steel |
|---|---------|---------|---------------|------------|-----------------|
| <b>Tipper</b>   | £396.00 | £429.00 | £462.00       | £462.00    | £590.00         |
| <b>Tipper with Stand</b>  | £544.00 | £588.50 | £654.50       | £654.50    | £715.00         |
| <b>Tipper with 150mm legs &amp; Fork Supports</b>                       | £500.50 | £522.50 | £555.50       | £555.50    | £695.00         |
| <b>Tipper with Castors</b>  | £544.50 | £566.50 | £599.50       | £599.50    | £735.00         |
| <b>Tipper with Drum Attachment</b>                                      | £473.00 | £506.00 | £561.00       | £561.00    | £690.00         |
| <b>Tipper with Stand, Castors &amp; Drum Attachment</b>                 | £770.00 | £825.00 | £913.00       | £913.00    | £975.00         |
| <b>Tipper with 150mm legs &amp; Fork Supports &amp; Drum Attachment</b> | £621.50 | £654.50 | £709.50       | £709.50    | £795.00         |
| <b>Tipper with Castors &amp; Drum Attachment</b>                        | £577.50 | £621.50 | £665.50       | £665.50    | £735.00         |
| <b>Tipper with Stand &amp; Castors</b>                                  | £693.00 | £737.00 | £803.00       | £803.00    | £860.00         |
| <b>Tipper with Stand &amp; Drum Attachment</b>                          | £621.50 | £676.50 | £764.50       | £764.50    | £815.00         |

## Options for your IBC Tipper



### Stand

A stand designed to hold the IBC and Tipper 40cm above the ground so a dispensing pump can be mounted below. Please note – To reduce shipping costs, some assembly will be required.



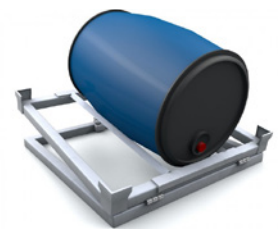
### 150mm Legs with Fork Supports

To allow the IBC to be moved around with the tipper attached, we provide a set of short legs that allow fork lift forks to slide under with ease. Chains clip around the fork to secure the IBC during movement.



### Castors

Heavy duty castors attach to the bottom of the Tipper unit, allowing it to be used as a trolley on which the IBC can be moved around freely.



### Drum Attachment

The IBC Tipper can be modified to take a drum, for which it works just as effectively. The unit will still accept an IBC, so can be used as a dual purpose tipping unit.

## Expected Savings

You can use the calculator at [ibctippers.co.uk](http://ibctippers.co.uk) to estimate how much you could save. Below are expected savings based on the average IBC which retains 5 litres of liquid prior to tipping, placed on a standard IBC Tipper unit.

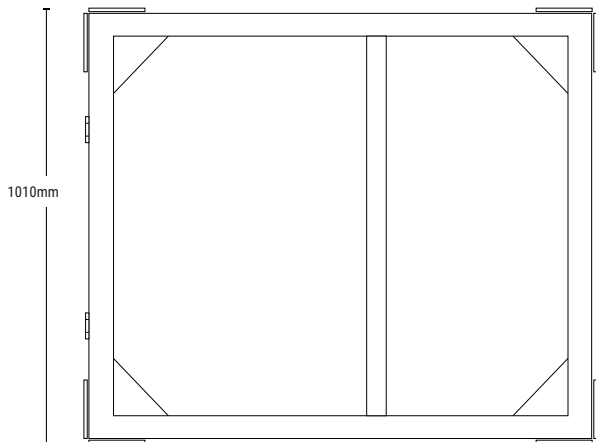
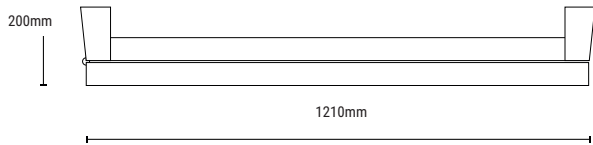
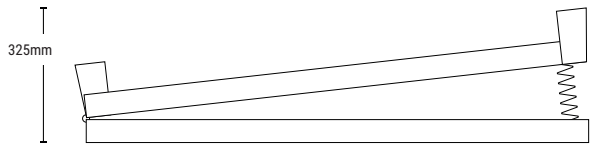
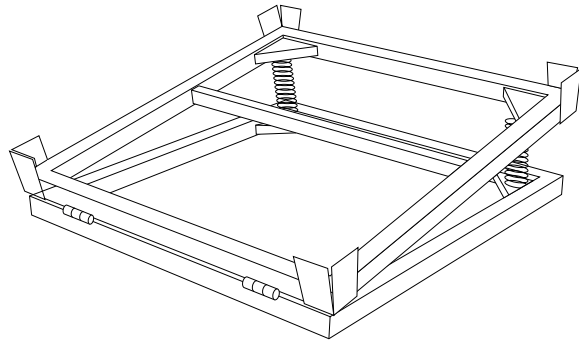
| Liquid Value / Litre | Saving Per IBC | Uses to pay for itself |
|----------------------|----------------|------------------------|
| £5                   | <b>£25.00</b>  | 15                     |
| £10                  | <b>£50.00</b>  | 8                      |
| £25                  | <b>£125.00</b> | 3                      |
| £50                  | <b>£250.00</b> | 2                      |

## Shipping & Delivery

Standard delivery is **£60.00** by Courier to mainland UK. International shipping is available at cost.

Please allow 14 days from order to delivery. Standard tippers are held in stock, but different finishes and options will be made to order so may increase delivery time.

## IBC TIPPER DATA SHEET



Size (WxLxH): **1210 x 1010 x 200mm**

Tippers for US Totes measure (WxLxH):  
**44.5 x 44.5 x 7.9inch**

Weight: **42kg**

Material: **Mild Steel**  
**304 Stainless Steel**

Finish: **Galvanised**  
**Powder Coated**  
**Painted**

**A Tipper on stand has been trial loaded with over 2000kg.**

**On stand or castors the outlet will be approximately 900mm from floor unless otherwise specified.**

